

L6C



- Aluminium-alloy IP65 single point load cell.
- Colourless anodized
- Suitable for counting and other electronic scales
- Maximum platform size: 350 x 450 mm

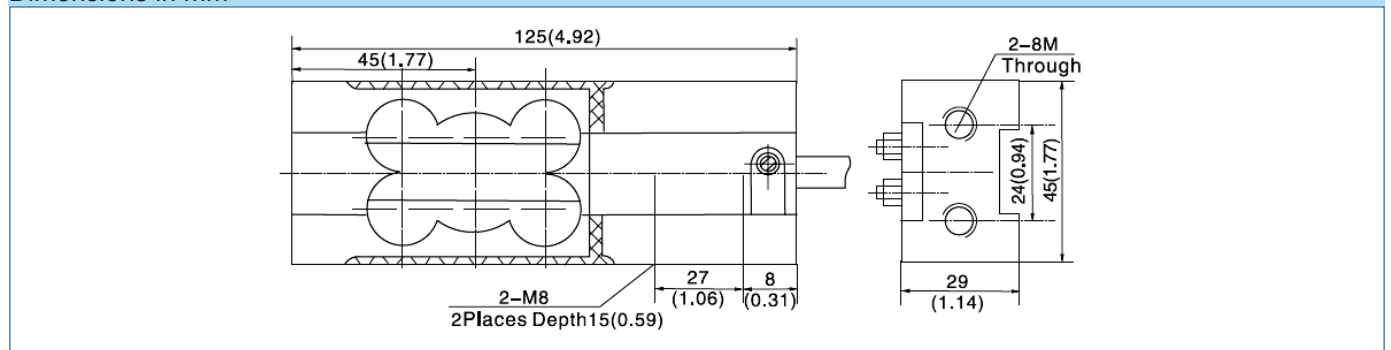
Available models

Capacity	Accuracy	Full article description
3 kg	C3D/C3	L6C-C3D/C3-3kg-2B
5 kg	C3D/C3	L6C-C3D/C3-5kg-2B
8 kg	C3D/C3	L6C-C3D/C3-8kg-2B
20 kg	C3D/C3	L6C-C3D/C3-20kg-2B
30 kg	C3D/C3	L6C-C3D/C3-30kg-2B
50 kg	C3D/C3	L6C-C3D/C3-50kg-2B

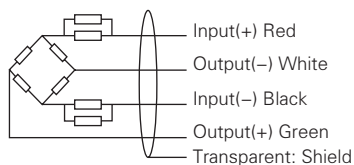
Specification

Accuracy class		C3D	C3
Output sensitivity (= FS)	mV/V	1.9 ± 0.2	
Maximum capacity (E _{max})	kg	3/5/8/20/30/50	
Maximum number of load cell intervals (nLC)		2500	3000
Ratio of minimum LC verification interval Y = E _{max} / V _{min}		5000	10000
Combined error	%FS	± 0.0280	± 0.0200
Safe overload	%FS	120	
Ultimate overload	%FS	150	
Zero balance	%FS	± 2.0	
Excitation, recommended voltage	V	5 ~ 12 (DC)	
Excitation maximum	V	18 (DC)	
Input resistance	Ω	406 ± 6	
Output resistance	Ω	350 ± 3	
Insulation resistance	MΩ	≥ 5000 (50VDC)	
Compensated temperature	°C	-10 ~ +40	
Operating temperature	°C	-35 ~ +65	
Element material		Aluminium	
Recommended torque on fixation	N.m	20	
Ingress protection (according to EN 60529)		IP65	

Dimensions in mm



Wiring



- Shielded, 4 conductor cable.
- Cable diameter: Φ5.3mm.
- Standard cable length: 2m.
- Shield connected to element.
- Cable jacket in PVC.